

RAPTOR DRUM STACKER

Operation Manual

Type: DA40B



NOTE: Owner and operator must read and understand this instruction manual before operation.

THANK YOU FOR USING THIS DRUM STACKER. FOR YOUR SAFETY AND CORRECT OPERATION, PLEASE CAREFULLY READ THIS INSTRUCTION BEFORE USING IT. ONLY THOSE WHO HAVE BEEN TRAINED AND AUTHORIZED CAN OPERATE THIS DRUM STACKER.

NOTE: All of the information reported herein is based on data available at the moment of printing. The factory reserves the right to modify its own products at any moment without notice and incurring in any sanction. So it is suggested to always verify possible updates.

1 Safety Rules

Warning: Infringe the safety rules and operation instructions in this manual may cause serious injuries or even death.

1.1 It is forbidden to operate this machine unless:

1) You have learned and obeyed all the safety rules in this manual.

- Avoid causing personal accident.
- Always make a check before operation.
- Make functional test before use.
- Check the working place.
- Only use it to convey, lift, revolve and tilt the drum.

2) You read, understand and obey

- Guides and safety rules of the manufacturer
- Safety rules of workers and regulations of working place
- Proper government ordinances

1.2 You should obey the following rules to avoid causing personal accident:

- It is forbidden to use it as a platform or ladder to lift persons.
- Only use it to convey, lift, revolve and tilt the drum.
- Only use it on a firm and level ground.
- Check for drop-offs, pits, barriers, debris, unstable ground and other dangerous conditions at the working place before the operation.
- It is forbidden to bear the machine or the drum of horizontal force during the operation process.
- Collision injury
 - Check whether there are some barriers or other possible dangers at the top of working place.
 - It is forbidden for the operator or other persons to stand under the machine when lifting or tilting the drum.
 - It is forbidden to lower the load unless there is no person or barrier under the load.
- Personal accident

Always keep your hands, feet and other body parts away from the clamping points, sliding guide or other pressure points.
- Injury caused by misuse

It is forbidden to lift or transport the load unless all clamps have fixed the drum firmly.
Lift or lower the load at a uniform speed and slowly. Sudden start or stop is forbidden.
Faulty methods of operating the machine may cause accidents
- Injury caused by machine fault

Never operate a faulty or damaged machine.
Make a thorough check before the operation every time.
Make sure all the markings are intact and correct.
Keep normal maintenance on the head parts of the clamps.

2 Checks Before Operation

Operator should make visual check on the machine before every shift work.

2.1 Make sure the operation manual is a complete and effective edition.

2.2 Make sure all the markings are intact, correct and properly affixed.

2.3 Check the following parts whether they are damaged or improper installed or have some parts loosen and lost.

- Hydraulic system and relative parts
- Clamping parts
- Front & rear wheels
- Carriage
- Nuts, bolts and other fastening parts

2.4 check the machine on:

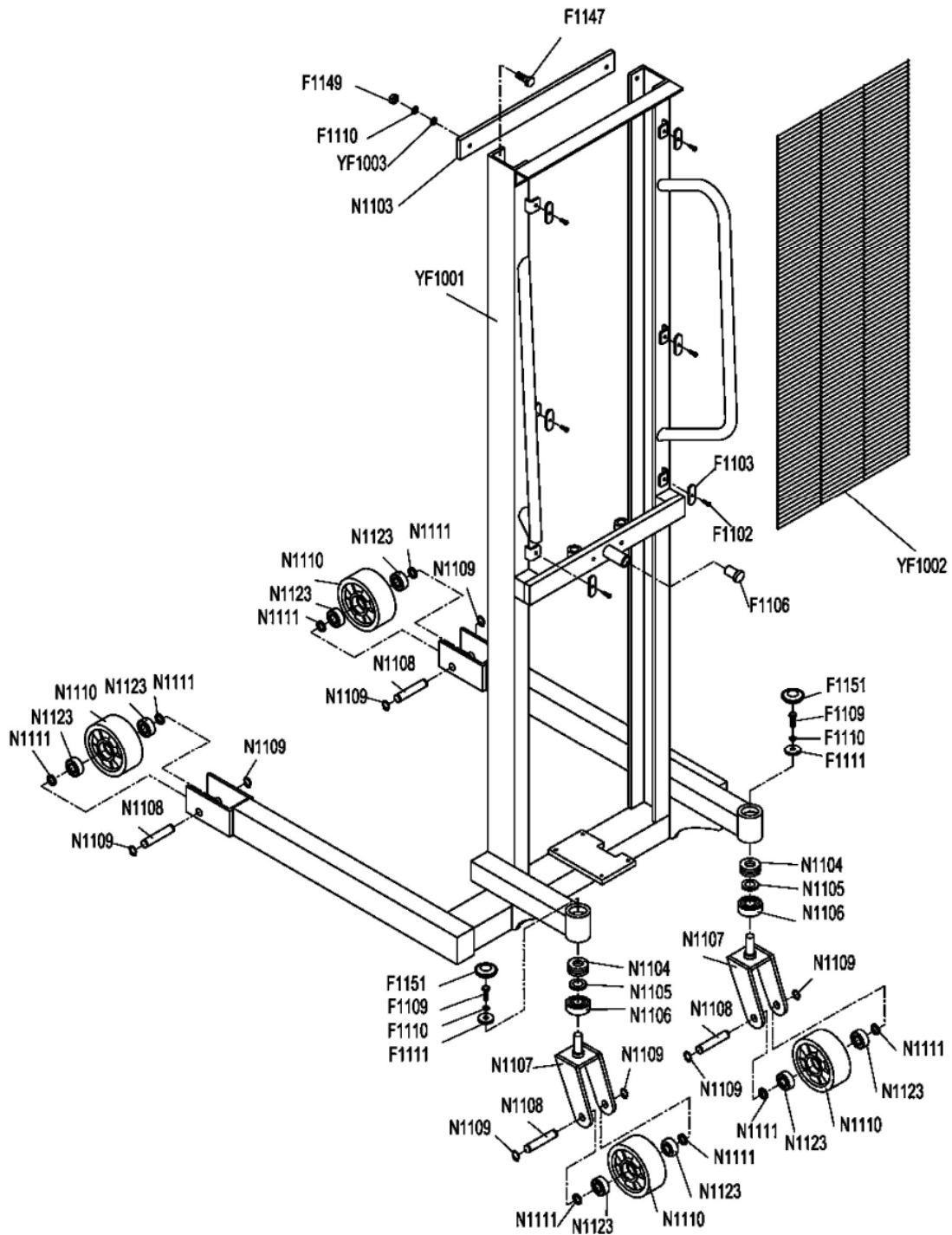
- Impression or damage
- Clamping parts wearing or damage
- Corrosion or oxidation
- Welding seams or cracks

3 Functional Test

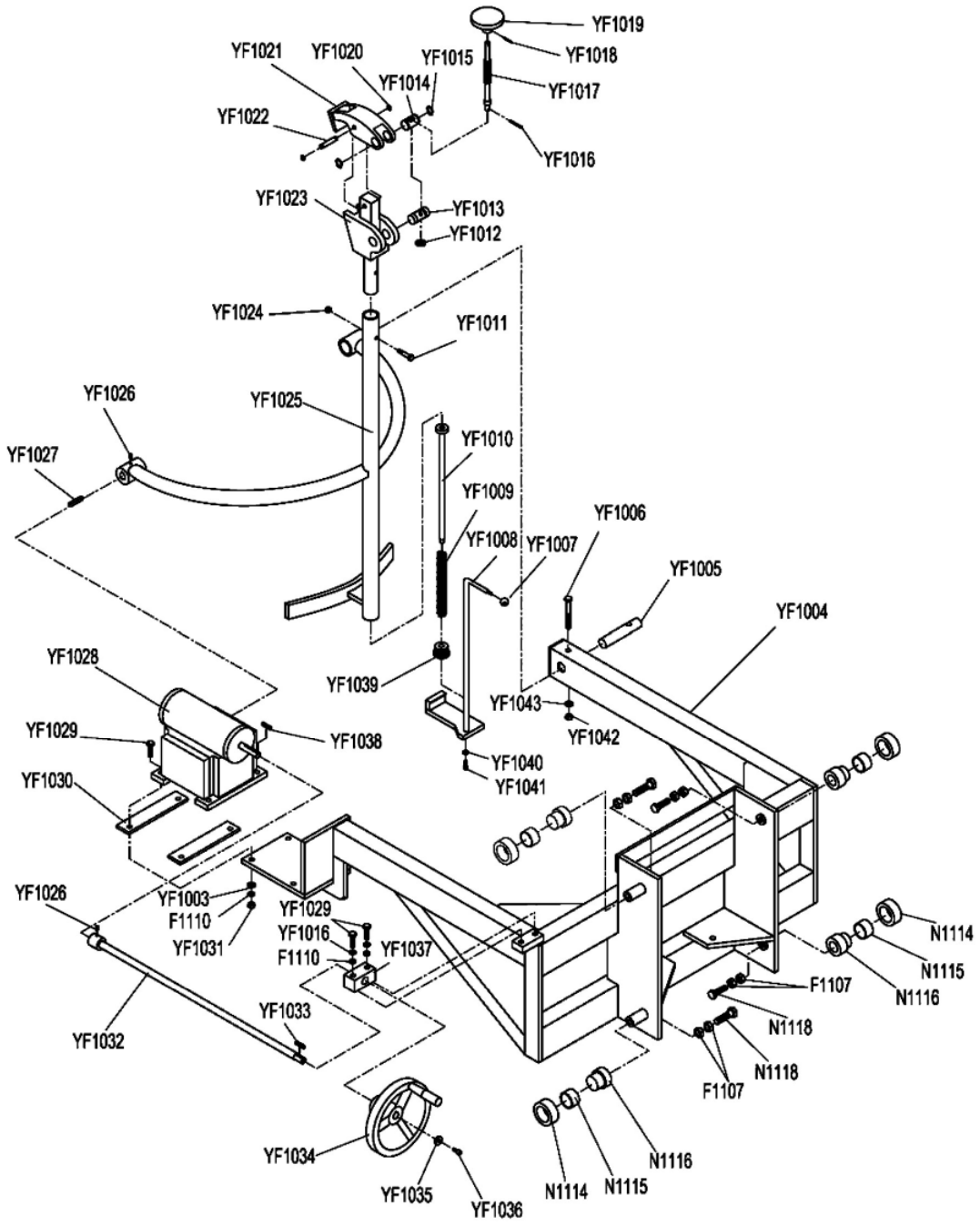
Operators must make functional tests on drum stackers of different kinds of functions. Only when the tests are eligible, can they be put into service.

4 Exploded View & Part List

Carriage assembly

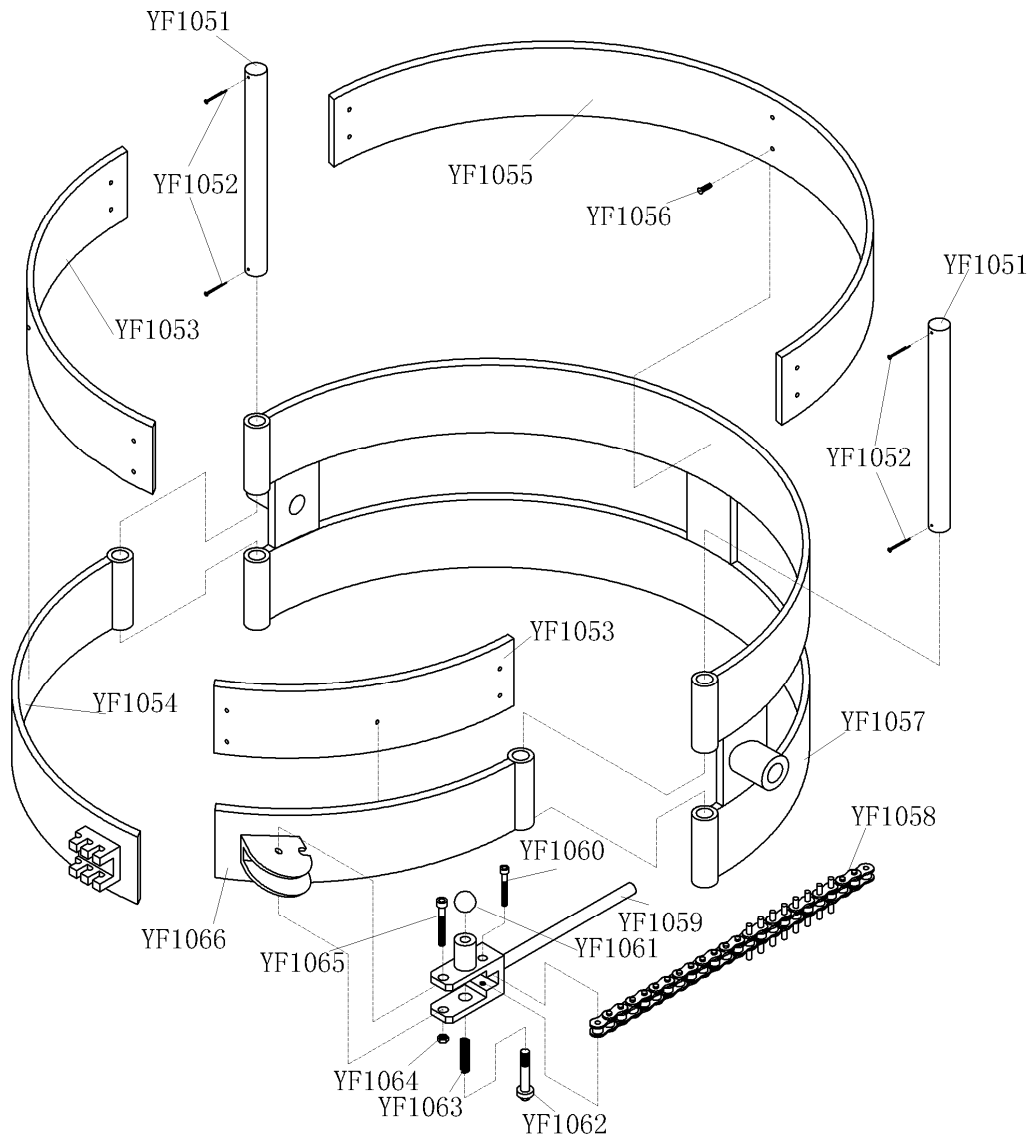


Sliding guide assembly



Part No.	Description	Qty	Part No.	Description	Qty
YF1001	Carriage	1	YF1035	Gasket	1
YF1002	Net	1	YF1036	Screw	1
YF1003	Washer	14	YF1037	Seat	1
YF1004	Sliding guide assembly	1	YF1038	Flat key	1
YF1005	Supporting axle	1	YF1039	Sealing screw	1
YF1006	Bolt	1	YF1040	Gasket	1
YF1007	Ball	1	YF1041	Screw	1
YF1008	Joystick	1	YF1042	Locknut	1
YF1009	Spring	1	YF1043	Washer	1
YF1010	Top axle assembly	1	N1103	Stop plate	1
YF1011	Bolt	1	N1104	Bearing 60304	2
YF1012	Washer	2	N1105	Spacing ring	2
YF1013	Supporting axle	1	N1106	Bearing 60304	2
YF1014	Nut axle	1	N1107	Rear wheel bracket	2
YF1015	Check ring	2	N1108	Rear wheel axle	4
YF1016	Split pin	1	N1109	Check ring	8
YF1017	Screw rod Tr16x4	1	N1110	Rear wheel	4
YF1018	Taper bolt	1	N1111	Washer	8
YF1019	Handwheel	1	N1114	Pulley	4
YF1020	Check ring	2	N1115	Pulley bush	4
YF1021	Upper clamp	1	N1116	Shaft housing	4
YF1022	Pin axle	1	N1118	Bolt	4
YF1023	Lower clamp	1	N1123	Bearing 80204	8
YF1024	Locknut	1	F1102	Screw	6
YF1025	Rotating stand	1	F1103	Spacing piece	6
YF1026	Screw	2	F1106	Rubber pad	1
YF1027	Flat key	1	F1107	Nut	8
YF1028	Transmission	1	F1109	Bolt	2
YF1029	Bolt	6	F1110	Gasket	4
YF1030	Plate	2	F1111	Washer	2
YF1031	Nut	4	F1147	Bolt	2
YF1032	Handwheel axle	1	F1149	Nut	2
YF1033	Flat key	1	F1151	Dust cap	2
YF1034	Handwheel	1			

Sliding guide assembly



Part No.	Description	Qty	Part No.	Description	Qty
YF1051	Pin axle	2	YF1059	Clamping rod	1
YF1052	Split pin 2.5x22	4	YF1060	Screw M5x40	1
YF1053	Small pad	2	YF1061	Ball M8x25	1
YF1054	Right movable arm	1	YF1062	Locating pin	1
YF1055	Big pad	2	YF1063	Spring	1
YF1056	Screw M5x12	22	YF1064	Locknut	1
YF1057	Fixed arm	1	YF1065	Screw M5x12	1
YF1058	Chain 10A-1x12	1	YF1066	Left movable arm	1