

# Instruction Manual

## Drum Lifter



**Note:** The Owner/Operator must read carefully and understand all the information presented here before operation.

**RevA: 05/2008**

THANK YOU FOR USING THIS DRUM LIFTER. FOR YOUR SAFETY AND CORRECT OPERATION, PLEASE CAREFULLY READ THIS INSTRUCTION BEFORE USING IT.

**NOTE:** All of the information reported herein is based on data available at the moment of printing. The factory reserves the right to modify its own products at any moment without notice and incurring in any sanction. So it is suggested to always verify possible updates.

This product is a professional tool used for lifting, transporting and stowing the drum.

## 1. SPECIFICATION

Model	DL500B
Capacity	500 kg
Drum	55 gallon
Net Weight	7.5 kg

## 2. PACKING

This lifter is packed with the carton. When open the carton, please check carefully whether the packing is good or has other problem. If it happened, please fill in the bill to send provider and recode the model you bought within 24 hours.

## 3. NOTICE

**WARNING:** This drum lifter are used in specifically situation, please pay attention to the operating as follows for using correctly.

- (1) Do not overload this drum lifter beyond its rated capacity.
- (2) Please check carefully before using it, you need to repair it in time if it is damaged.
- (3) Do not modify this product without the permission of the manufacture.

#### 4. OPERATING INSTRUCTIONS

1. Put this lifter on the hook vertically.
2. It is easy to lift the drum after locking the drum rim when it had been lifted on an appropriate position.
3. The lifter can release automatically when the drum is laid.

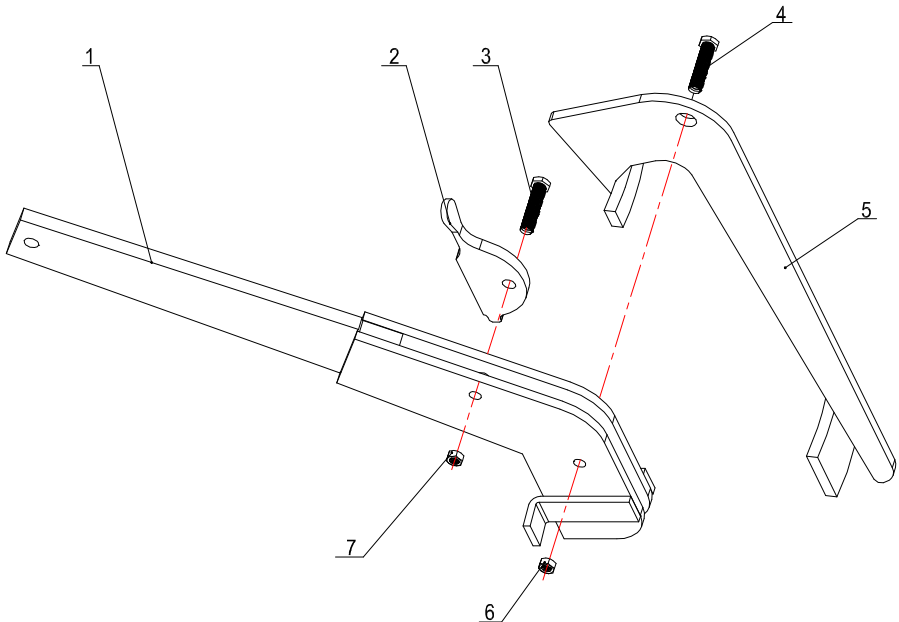
#### 5. MAINTENANCE

This product is a jointing construction. Please check usually whether the lifter is good or damaged.

#### 6. LIMITED WARRANTY

The product for 1 year when used properly within its rated capacity. The customer assumes liability for any modifications, unauthorized, repairs or parts substitution.

#### 7. EXPLODED VIEW AND PART LIST



No.	Description	Qty	Size (mm)	Remark
1	Right arm	1		
2	Locking handle	1		
3	Hex bolt	1	M10×50	
4	Hex bolt	1	M12×50	
5	Left arm	1		
6	Hex nut	1	M12	
7	Hex nut	1	M10	